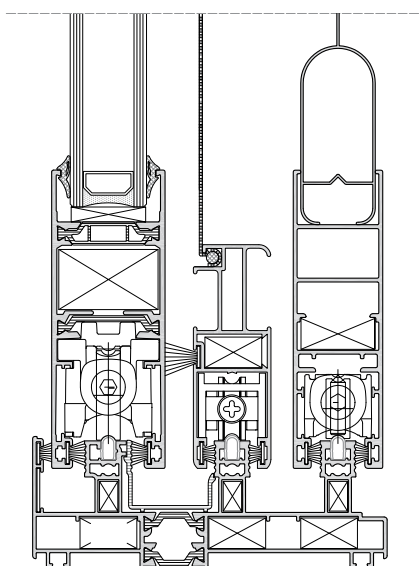


ES38 Sliding System



A sliding system with thermal break, suitable for opposed and in-wall doors and windows with requirements for thermal insulation, functionality and aesthetics.



Technical features

- Double glazing, infill range: up to 26 mm
- Max. sash width: 2000mm (height up to 1600 mm)
- Max. sash height: 2400 mm (width up to 1400)
- Rail height: 44 mm
- Sash profile width: 38 mm
- Triple rail width: 118.9 mm

Hardware

- Slide mechanism
- Max. sash weight :130kg (10 000 circles) or 100kg (25 000 circles)
- Double rollers
- Single, Multiple point or Inline locking mechanism

Surface treatment options

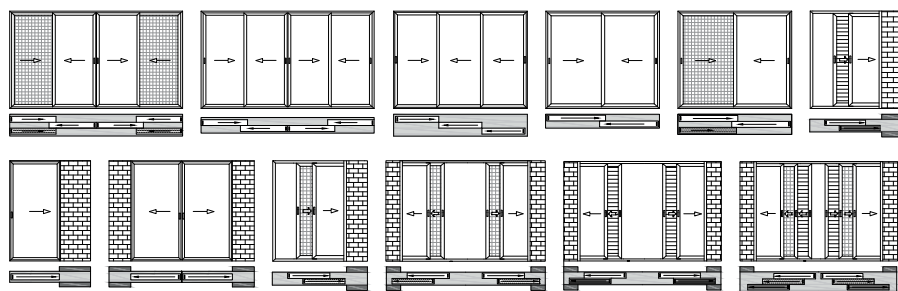
- RAL colours
- ETEM colours
- Anodising
- Wood effects
- Quality Standards:
 - QUALICOAT
 - QUALANOD
 - QUALIDECO

Performance

Air Permeability:	up to Class 4
Watertightness:	up to Class 4A
Resistance to wind load:	up to Class C4/B4
Thermal transmittance (U_p):	from 2.9 W/(m²K)

Typologies

- Single, double & triple sliding
- Pocket sliding
- Sliding & fixed
- Fly screen & sliding shutter incorporated solution



Production certificates

- EN ISO 9001
- EN ISO 14001
- OHSAS 18001

